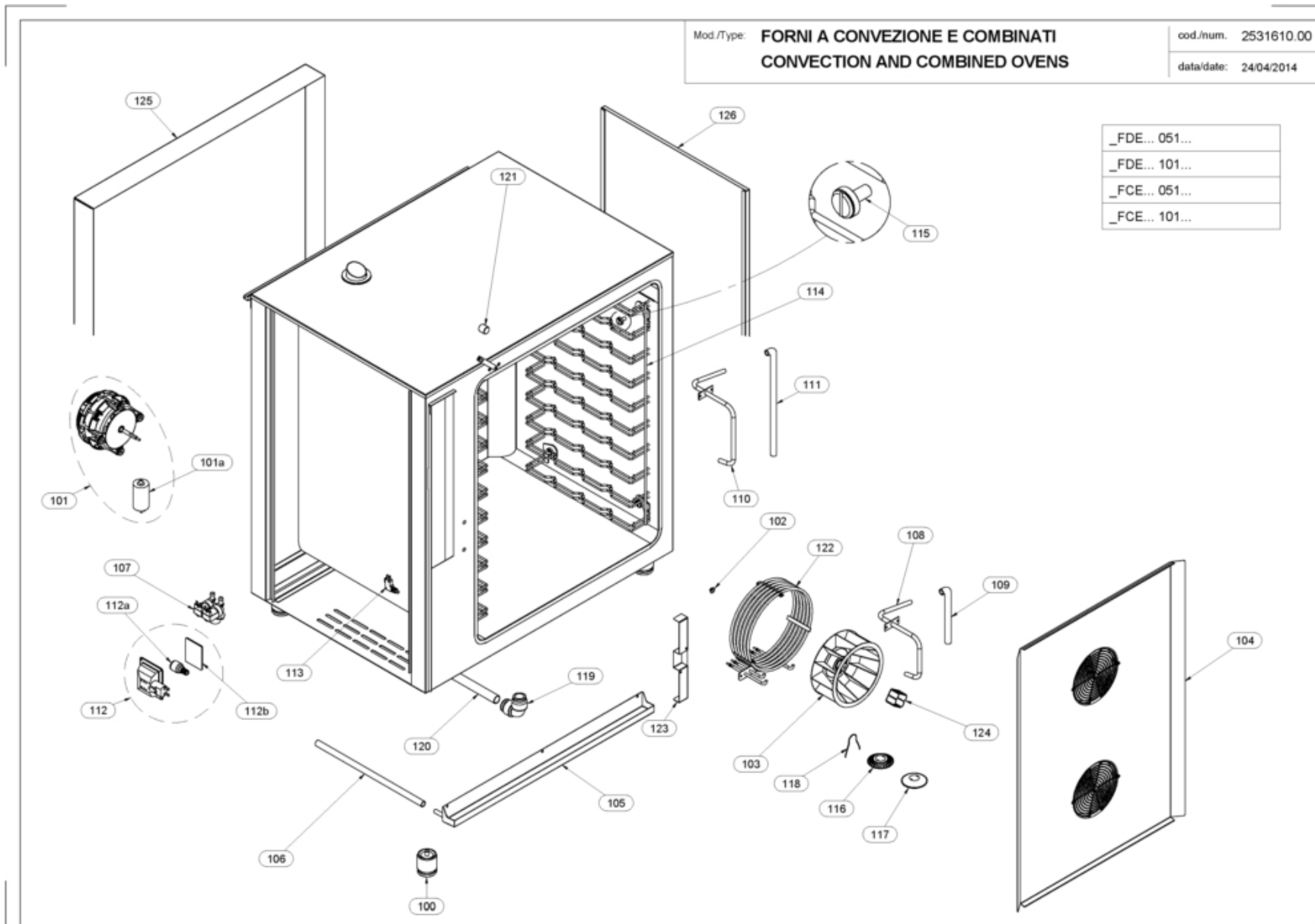




EXPLODED VIEW DOOR

Pos.	Code	Description	From	To
0001	553.022.00	GASKET L=2117 FOR OVEN DOOR		
0002	256.257.00	KIT COPPIA CERN. PORTA FORNO +ACC.	4/30/2014	6/1/2014
0002	256.258.00	KIT COPPIA CERN. PORTA FORNO R+ACC.	6/2/2014	
0003	510.130.00	ASS.PORTA FORNO 5T EASY*****	4/30/2014	6/1/2014
0003	510.173.00	ASS.PORTA DX FORNO 5T ML	6/2/2014	
0004	584.003.00	SINGLE HOOK FOR OVEN DOOR		
002a	256.430.00	FIXING PIN FOR OVEN DOOR		
003a	510.129.00	ASS.VETRO INT.PORTA DX F.5T ML		
003b	256.259.00	KIT PORTA ESTERNA FORNO 5T ML*****	4/30/2014	6/1/2014
003b	256.262.00	KIT PORTA DX EST. FORNO 5T MULTI	6/2/2014	
003c	584.010.00	GREY HANDLE FOR OVEN DOOR RAL7012		





EXPLODED VIEW OVEN CHAMBER

Pos.	Code	Description	From	To
0100	512.004.00	FOOT D.50X55 M10 CX SCREW		
0101	256.496.00	KIT MOTOR FOR OVENS ML/K + COND.		
0102	551.016.00	BOCCOLA IGLIDUR XFM-0810-05		
0103	544.020.00	BIDIR. FAN		
0104	256.487.00	KIT CONVOGLIATORE CELLA 5T ELETT.		
0105	511.140.00	ASS.VASCHETTA CONDENSA FORNO EASY**	4/30/2014	6/1/2014
0105	511.184.00	ASS.VASCHETTA CONDEN.PORTA FORNO ML	6/2/2014	
0106	552.011.00	TUBO D.10x16 L= 700 - SILIC.RETIN.	6/2/2014	
0106	552.012.00	TUBO D.10x16 L= 900 - SILIC.RETIN.	4/30/2014	6/1/2014
0107	256.254.00	KIT ELETTRIVALVOLA 1U + RID. MULTI		
0108	531.056.00	EROGATORE INF.F.10T ELE.EASY*****		
0109	552.013.00	TUBO D.10x16 L= 600 - SILIC.RETIN.		
0112	256.256.00	KIT OVEN LAMP		
0113	961.021.00	MICRO SWITCH M10 16A-250V		
0114	583.030.00	GRID SUPPORT OVEN 5T ML		
0115	541.050.00	TRAY RACK FIXING PIN		
0116	522.357.00	FILTRO SCARICO CELLA FORNO ML		
0117	522.358.00	FILTRO CIECO SCARICO CELLA FORNO ML		
0118	260.118.00	MOLLA FILTRO SCARICO CELLA FORNO ML		
0119	578.007.00	RACCORD.GOMITO SCAR.F.ML (PLASTICA)		
0120	511.186.00	ASS.TUBO INF.SCARICO FORNO ML	6/2/2014	
0120	578.006.00	TUBO INF.SCARICO F.ML (PLASTICA)***	4/30/2014	6/1/2014
0122	565.010.00	HEATING ELEMENT 230V-6000W		
0123	256.483.00	KIT PORTABULBI FORNO MULTILINE		
0124	521.192.00	INIETTORE ACQUA FORNO EASY		
0125	521.304.00	SCHIENA INVOLUCRO F.5T ELE.ML		
0126	521.253.00	FIANCO INVOLUCRO F.5T ELE.EASY		
101a	464.016.00	CONDENSER 12,5 HP 0,65-0,75		
112a	563.009.00	LAMP FOR OVEN		
112b	555.025.00	PROTECTING GLASS FOR LAMP HOLDER		

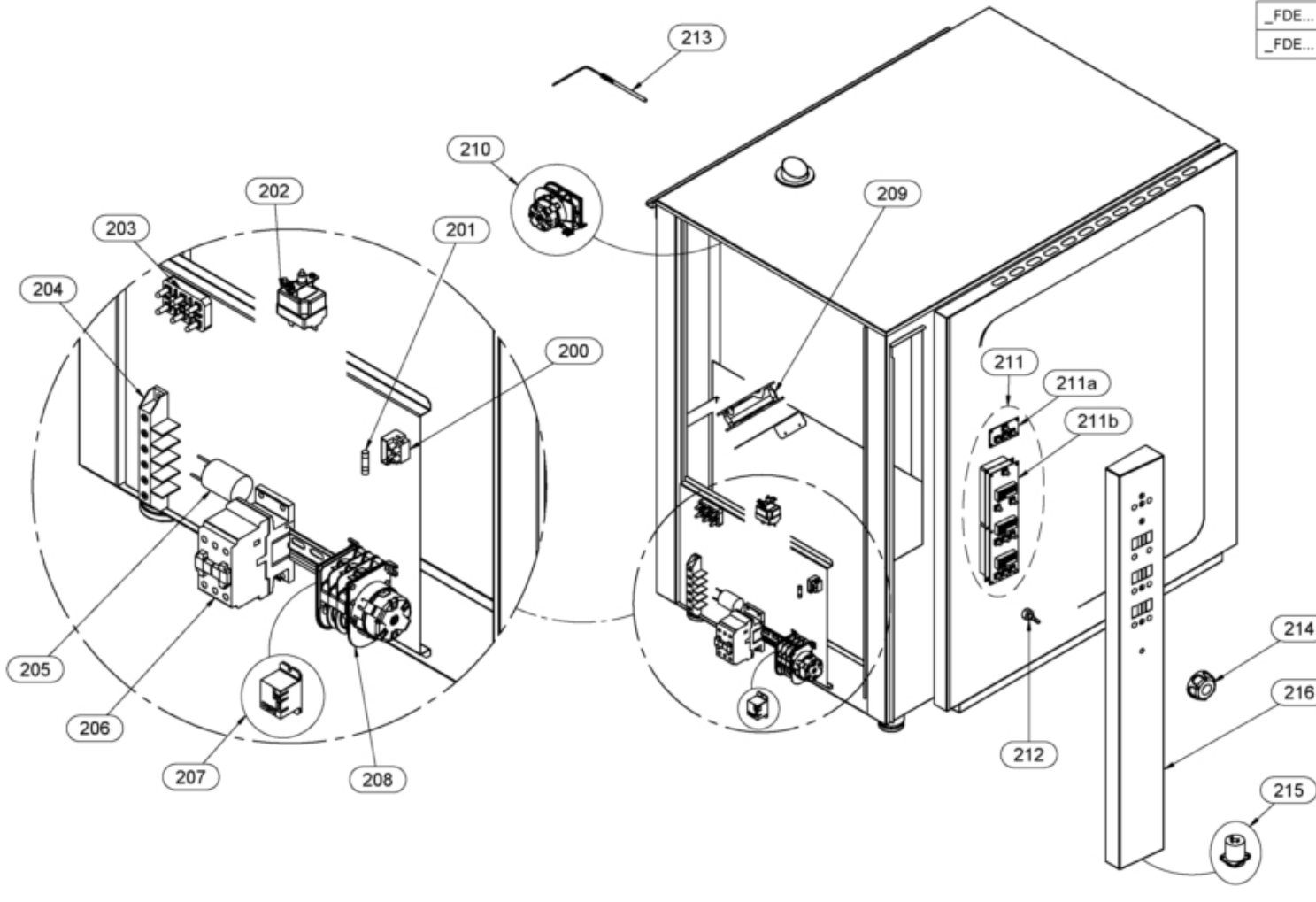
Mod./Type: **FORNI A CONVEZIONE E COMBINATI
CONVECTION AND COMBINED OVENS**

cod./num. 2532292.00

data/date: 14/12/2015

_FDE... 051 P...

_FDE... 101 P...





EXPLODED VIEW ELECTRIC SYSTEM

Pos.	Code	Description	From	To
0200	561.059.00	PORTAFUSIBILE + MORSETTO 2 POLI		
0201	561.013.00	FUSIBILE 5X20F 250V 2A - RAPIDO		
0202	512.051.00	KIT TERMOSTATO SICUREZZA+DADO		
0203	963.003.00	MORSETTIERA CAMBIO TENSIONE+ACCESS.		
0204	963.007.00	MORSETT. FV122 V/V - 6 POLI 40A****		
0205	464.067.00	NETWORK FILTER		
0206	461.021.00	REMOTE CONTROL SWITCH		
0207	461.083.00	RELAY 30A 230V-50/60HZ 1SCAMBIO		
0208	561.047.00	MOTOR INVERS. 270 SEC.240V 50HZ		
0209	564.046.00	VENTILATORE ASSIALE COMP. 92x92x38		
0210	561.066.00	MOTORE AP/CH SCARICO FUMI 20s 230V		
0211	561.069.00	CONTROL + OVEN KEYBOARD ML		
0212	561.062.00	ENCODER CABLATO EV099C00X0XXX01		
0213	561.044.15	PROBE TCJ L=1500 4X200		
0214	551.020.00	OVEN CHROMED KNOB EASY-P		
0215	561.065.00	CONNETTORE JACK SONDA AL CUORE L=1M		
0216	511.193.00	ASS.CRUSCOTTO F.5T C/E ML		
211a	561.061.00	SMALL KEYBOARD OVEEN 70X40		
211b	561.060.00	CONTROLLORE FORNO EVC30S34J9XXX00		